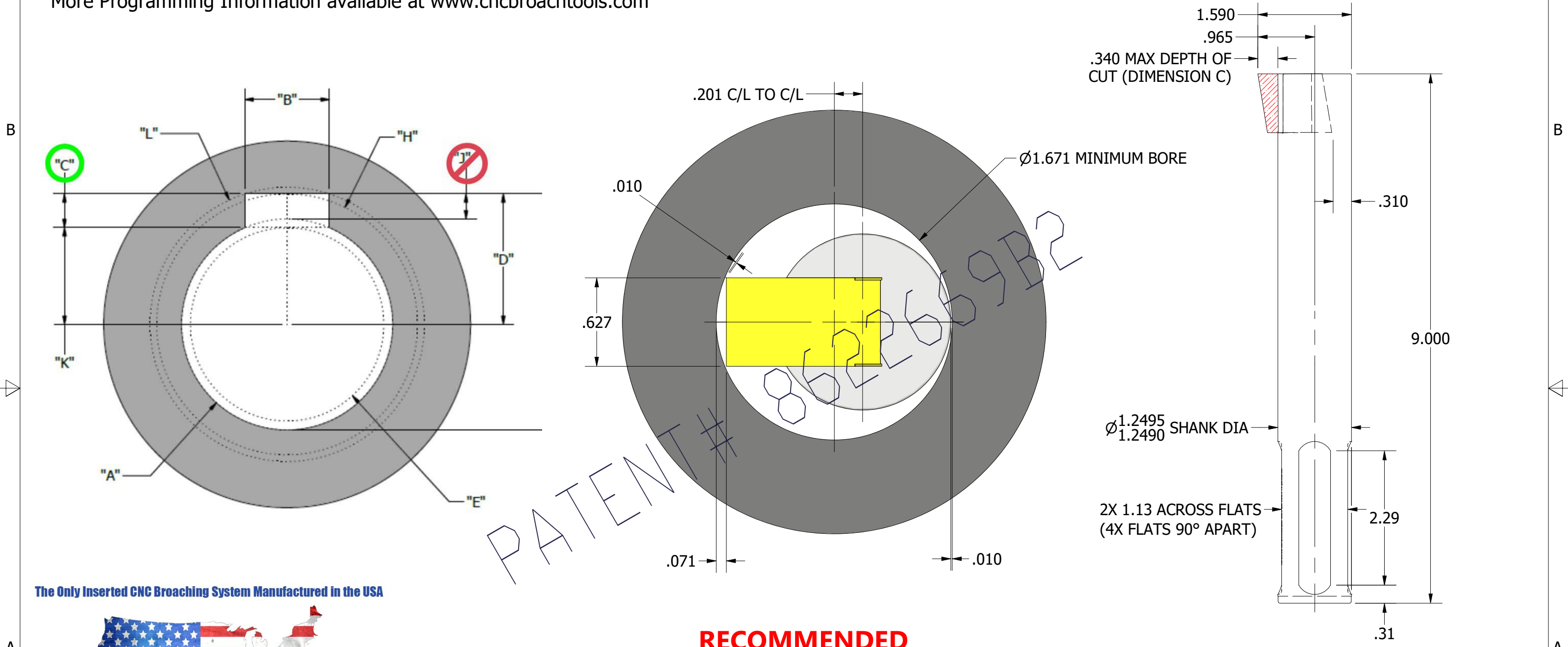


# SAVE TIME & REDUCE ERRORS WITH OUR ONLINE BROACH G-CODE GENERATOR!

More Programming Information available at [www.cncbroachtools.com](http://www.cncbroachtools.com)



The Only Inserted CNC Broaching System Manufactured in the USA



The Design of CNC Broach Tools and Inserts are Proprietary and Protected by USA Patent #8,622,669,B2


CNC Broach Tool LLC  
[sales@cncbroachtools.com](mailto:sales@cncbroachtools.com)  
 877-248-1631  
[www.cncbroachtools.com](http://www.cncbroachtools.com)

**RECOMMENDED  
 SET SCREW  
 TORQUE: 40 IN-LB**

PATENT# 8622669B2

PROPRIETARY AND CONFIDENTIAL  
 THE INFORMATION CONTAINED IN THIS DRAWING IS THE SOLE PROPERTY OF CNC BROACH. ANY REPRODUCTION IN PART OR AS A WHOLE WITHOUT THE WRITTEN PERMISSION OF CNC BROACH IS PROHIBITED.

|                                      |  |           |              |
|--------------------------------------|--|-----------|--------------|
| UNLESS OTHERWISE SPECIFIED:          |  | NAME      | DATE         |
| DIMENSIONS ARE IN INCHES             |  | DRAWN     | SMA 03/20/21 |
| TOLERANCES:                          |  | CHECKED   | XX XX/XX/XX  |
| FRACTIONAL ± .005                    |  | ENG APPR. |              |
| ANGULAR: MACH ± .1° BEND ± .1°       |  | MFG APPR. |              |
| TWO PLACE DECIMAL ± .010             |  | Q.A.      |              |
| THREE PLACE DECIMAL ± .005           |  | COMMENTS: |              |
| INTERPRET GEOMETRIC TOLERANCING PER: |  |           |              |
| MATERIAL                             |  |           |              |
| 17-4PH S.S.                          |  |           |              |
| FINISH                               |  |           |              |
| BLACK OXIDE                          |  |           |              |
| DO NOT SCALE DRAWING                 |  |           |              |

|   |          |     |              |
|---|----------|-----|--------------|
|  |          |     |              |
| TITLE: T58L BROACH TOOL DETAIL  |          |     |              |
| SIZE  | DWG. NO. | REV |              |
| B   | T58L     | D   |              |
| WEIGHT:   |          |     | SHEET 1 OF 1 |