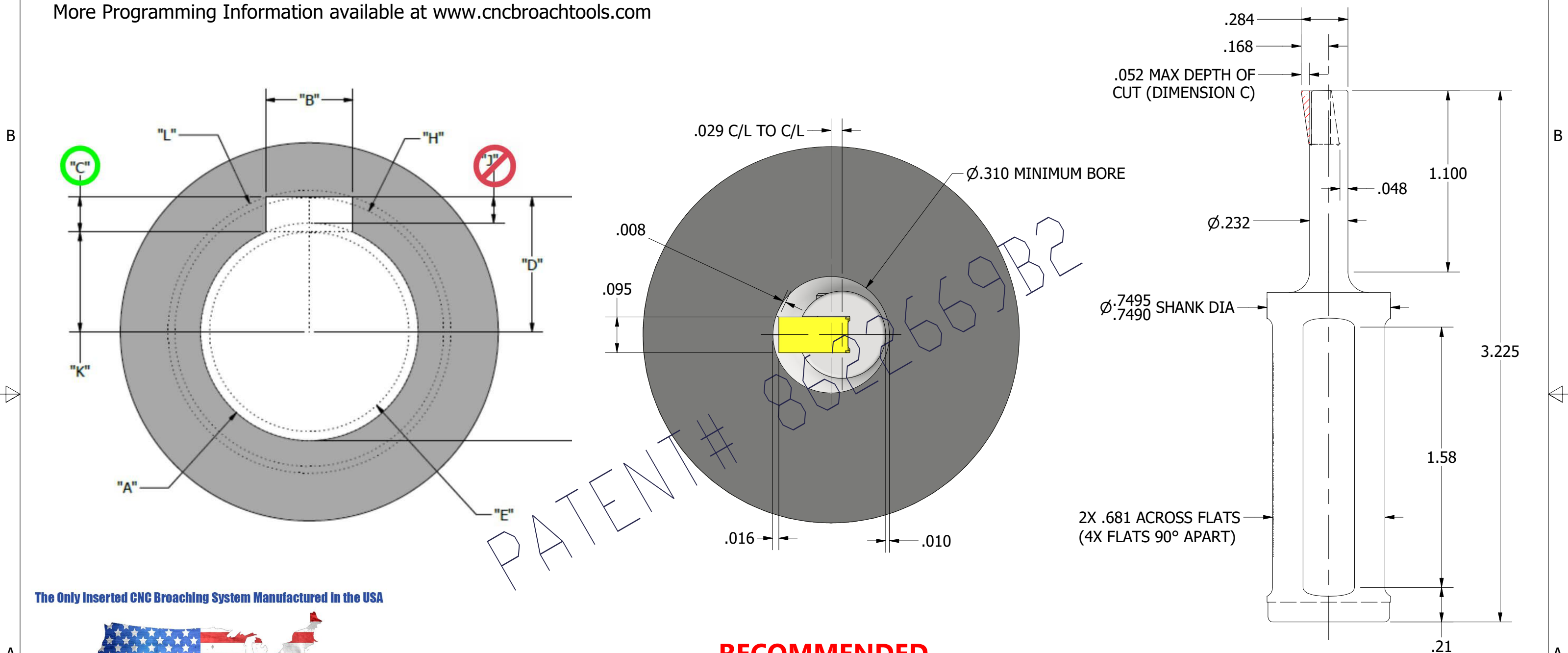


# SAVE TIME & REDUCE ERRORS WITH OUR ONLINE BROACH G-CODE GENERATOR!

More Programming Information available at [www.cncbroachtools.com](http://www.cncbroachtools.com)



PATENT# 8622669B2

The Only Inserted CNC Broaching System Manufactured in the USA



The Design of CNC Broach Tools and Inserts are Proprietary and Protected by USA Patent #8,622,669,B2


CNC Broach Tool LLC  
sales@cncbroachtools.com

877-248-1631  
www.cncbroachtools.com

**RECOMMENDED  
SET SCREW  
TORQUE: 2.5 IN-LB**

PATENT# 8622669B2

PROPRIETARY AND CONFIDENTIAL  
THE INFORMATION CONTAINED IN THIS DRAWING IS THE SOLE PROPERTY OF CNC BROACH. ANY REPRODUCTION IN PART OR AS A WHOLE WITHOUT THE WRITTEN PERMISSION OF CNC BROACH IS PROHIBITED.

UNLESS OTHERWISE SPECIFIED:		NAME	DATE		
DIMENSIONS ARE IN INCHES		DRAWN	SMA		03/20/21
TOLERANCES:		CHECKED	XX		XX/XX/XX
FRACTIONAL ±		ENG APPR.			
ANGULAR: MACH ± .1° BEND ±		MFG APPR.			
TWO PLACE DECIMAL ± .010		Q.A.			
THREE PLACE DECIMAL ± .005		COMMENTS:			
INTERPRET GEOMETRIC TOLERANCING PER:		TITLE: T564L BROACH TOOL DETAIL			
MATERIAL: 17-4PH S.S.		SIZE	DWG. NO.	REV	
FINISH: BLACK OXIDE		B	T564L	C	
DO NOT SCALE DRAWING		WEIGHT:		SHEET 1 OF 1	