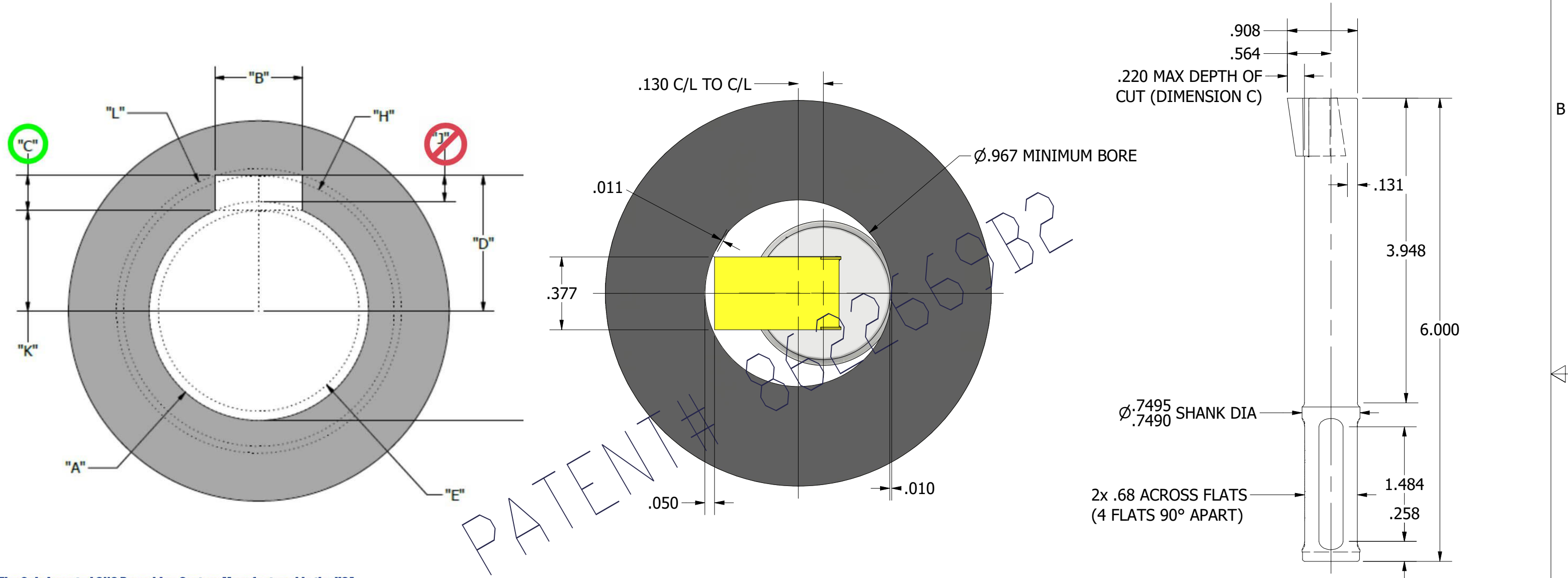


# SAVE TIME & REDUCE ERRORS WITH OUR ONLINE BROACH G-CODE GENERATOR!

More Programming Information available at [www.cncbroachtools.com](http://www.cncbroachtools.com)



The Only Inserted CNC Broaching System Manufactured in the USA



The Design of CNC Broach Tools and Inserts are Proprietary and Protected by USA Patent #8,622,669,B2

CNC Broach Tool LLC  
sales@cncbroachtools.com

877-248-1631  
www.cncbroachtools.com

**RECOMMENDED  
SET SCREW  
TORQUE: 30 IN-LB**

PATENT# 8622669B2

PROPRIETARY AND CONFIDENTIAL  
THE INFORMATION CONTAINED IN THIS DRAWING IS THE SOLE PROPERTY OF CNC BROACH TOOL LLC. ANY REPRODUCTION IN PART OR AS A WHOLE WITHOUT THE WRITTEN PERMISSION OF CNC BROACH TOOL LLC IS PROHIBITED.

UNLESS OTHERWISE SPECIFIED:		NAME	DATE
DIMENSIONS ARE IN INCHES		DRAWN	SMA 11/14/20
TOLERANCES:		CHECKED	XX XX/XX/XX
FRACTIONAL ± .005		ENG APPR.	
ANGULAR: MACH ± .01° BEND ± .01°		MFG APPR.	
TWO PLACE DECIMAL ± .010		Q.A.	
THREE PLACE DECIMAL ± .005		COMMENTS:	
INTERPRET GEOMETRIC TOLERANCING PER:			
MATERIAL			
17-4PH S.S.			
FINISH			
BLACK OXIDE			
DO NOT SCALE DRAWING			



TITLE:			
T38L BROACH TOOL DETAIL			
SIZE	DWG. NO.	REV	
B	T38L	C	
WEIGHT:			SHEET 1 OF 1