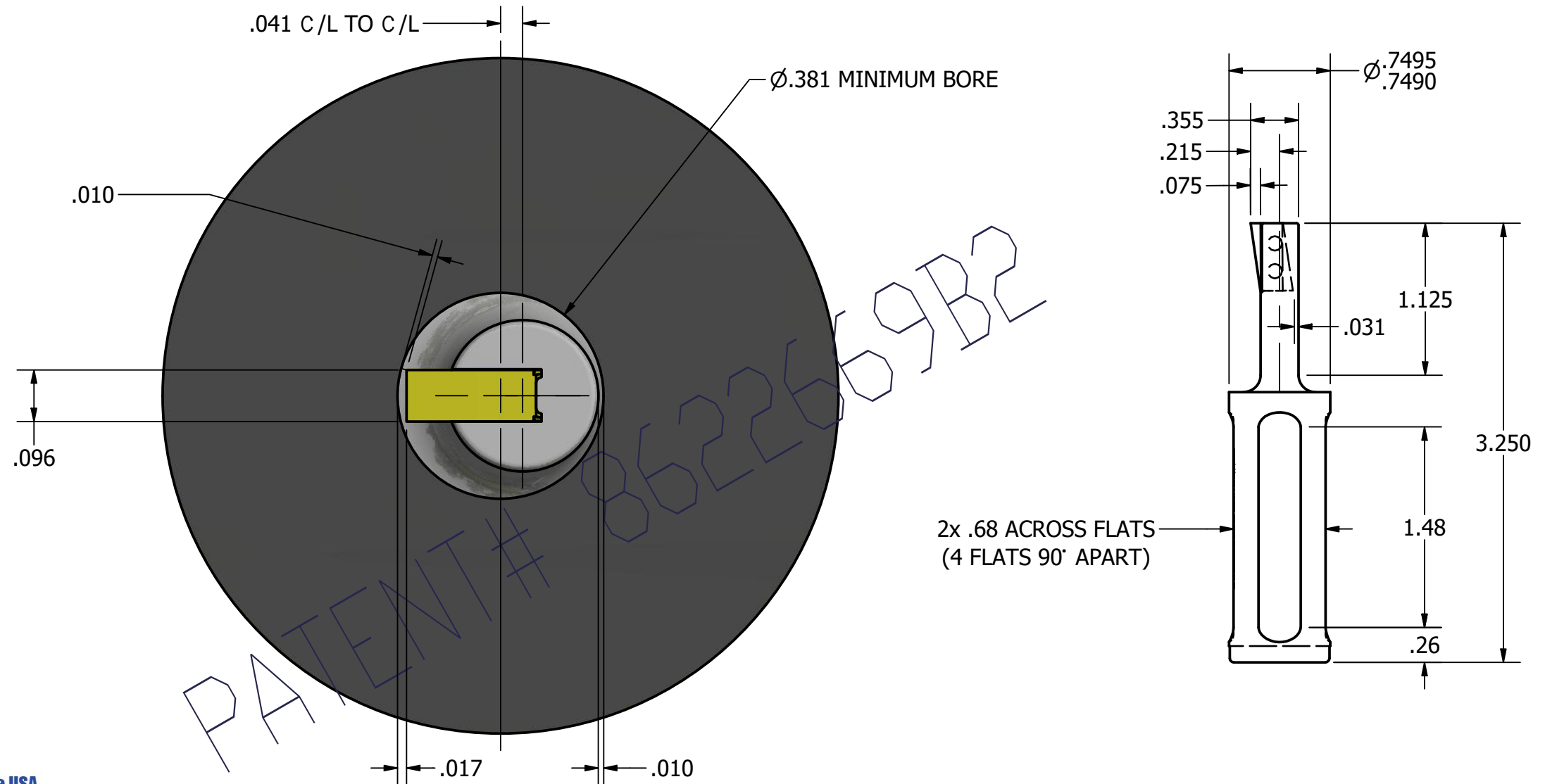


More Programming Information available at [www.cncbroachtools.com](http://www.cncbroachtools.com)



The Only Inserted CNC Broaching System Manufactured in the USA



The Design of CNC Broach Tools and Inserts are Proprietary and Protected by USA Patent #8,622,669,B2

CNC Broach Tool LLC  
sales@cncbroachtools.com

877-248-1631  
www.cncbroachtools.com

PATENT# 8622669B2

PROPRIETARY AND CONFIDENTIAL  
THE INFORMATION CONTAINED IN THIS DRAWING IS THE SOLE PROPERTY OF CNC BROACH TOOL. ANY REPRODUCTION IN PART OR AS A WHOLE WITHOUT THE WRITTEN PERMISSION OF CNC BROACH IS PROHIBITED.

UNLESS OTHERWISE SPECIFIED:		NAME	DATE
DIMENSIONS ARE IN INCHES		DRAWN	SMA 06/30/20
TOLERANCES:		CHECKED	JG 06/30/20
FRACTIONAL ± .005		ENG APPR.	
DECIMAL ± .001		MFG APPR.	
ANGULAR: MAXIMUM BEND ± .010		Q/A	
TWO PLACE DECIMAL ± .010		COMMENTS:	
THREE PLACE DECIMAL ± .005			
INTERPRET GEOMETRIC TOLERANCING PER:			
MATERIAL			
17-4PH S.S.			
FINISH			
BLACK OXIDE			
DO NOT SCALE DRAWING			



TITLE:  
T332L BROACH TOOL DETAIL

SIZE DWG. NO. REV  
B T332L B

WEIGHT: SHEET 1 OF 1