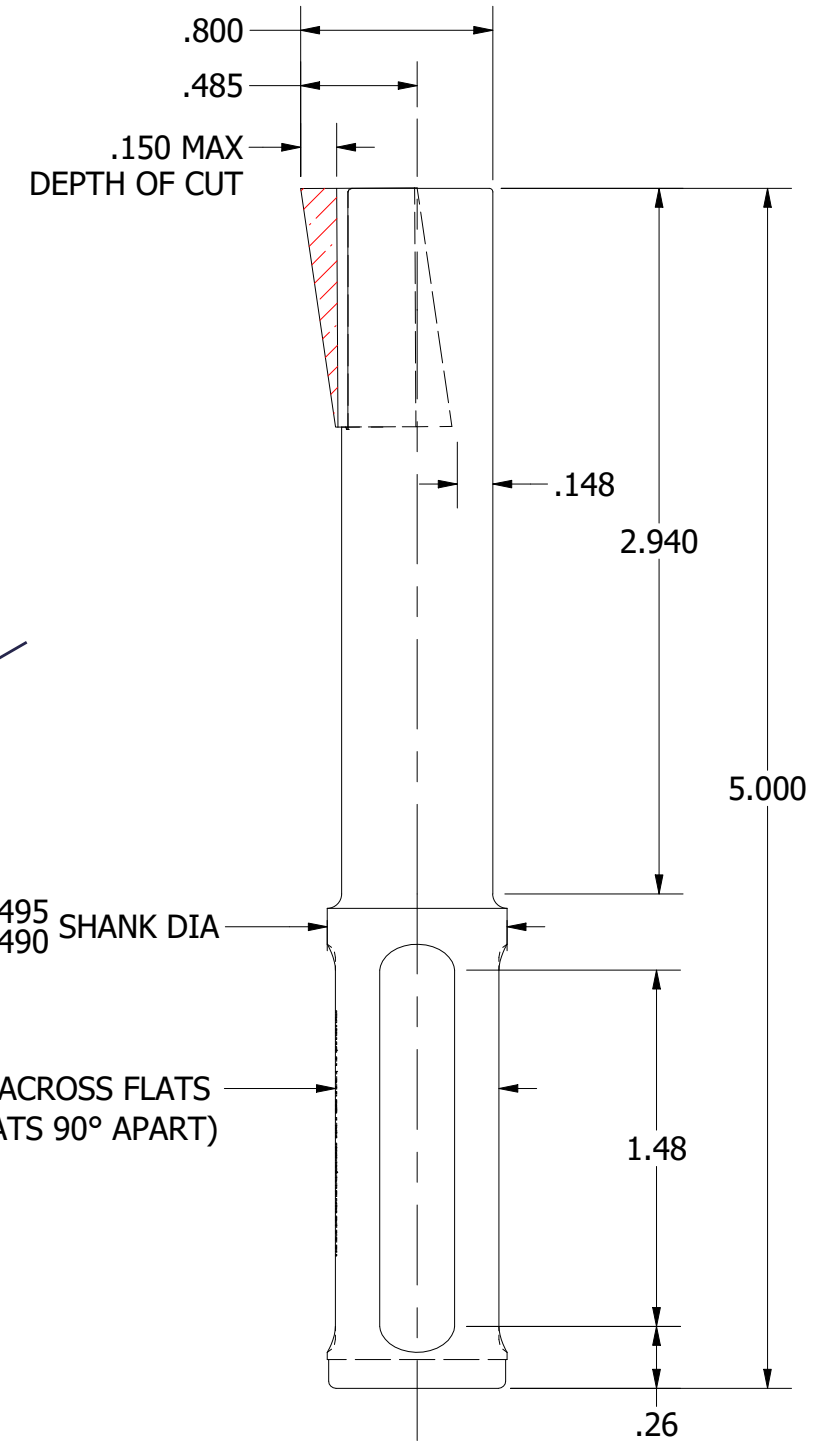
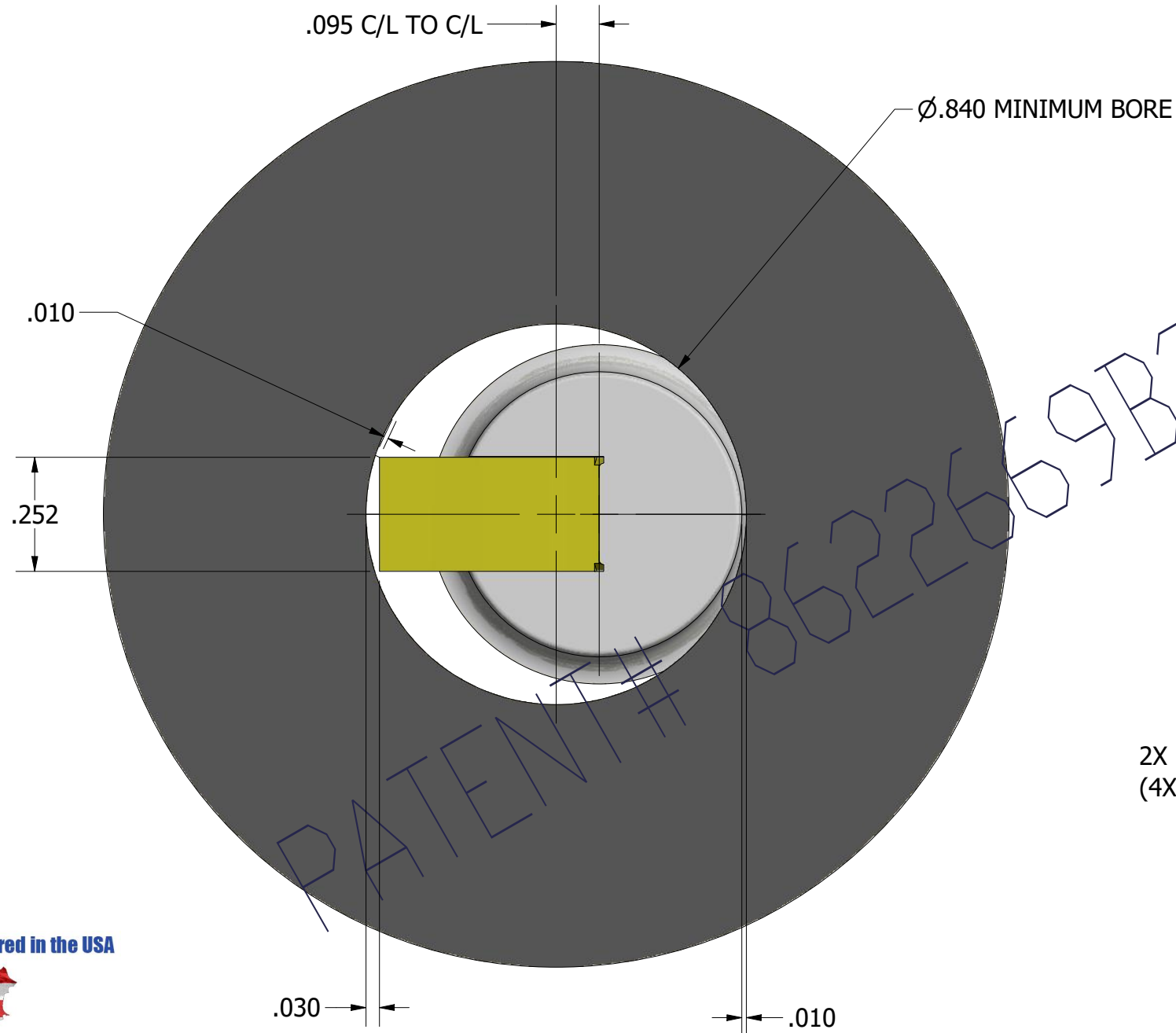


More Programming Information available at www.cncbroachtools.com



The Only Inserted CNC Broaching System Manufactured in the USA



The Design of CNC Broach Tools and Inserts are Proprietary and Protected by USA Patent #8,622,669,B2

CNC Broach Tool LLC
sales@cncbroachtools.com

877-248-1631
www.cncbroachtools.com

PATENT# 8622669B2

PROPRIETARY AND CONFIDENTIAL
THE INFORMATION CONTAINED IN THIS DRAWING IS THE SOLE PROPERTY OF CNC BROACH. ANY REPRODUCTION IN PART OR AS A WHOLE WITHOUT THE WRITTEN PERMISSION OF CNC BROACH IS PROHIBITED.

UNLESS OTHERWISE SPECIFIED: DIMENSIONS ARE IN INCHES TOLERANCES: FRACTIONAL ± .005 ANGULAR: MACH ± .1° BEND ± .010 TWO PLACE DECIMAL ± .010 THREE PLACE DECIMAL ± .005	INTERPRET GEOMETRIC TOLERANCING PER:	NAME	DATE
	MATERIAL	DRAWN	SMA 03/20/21
	FINISH	CHECKED	XX XX/XX/XX
	DO NOT SCALE DRAWING	ENG APPR.	
		MFG APPR.	
	Q & A		
	COMMENTS:		



TITLE: T14L BROACH TOOL DETAIL		
SIZE	DWG. NO.	REV
B	T14L	C
WEIGHT:		SHEET 1 OF 1