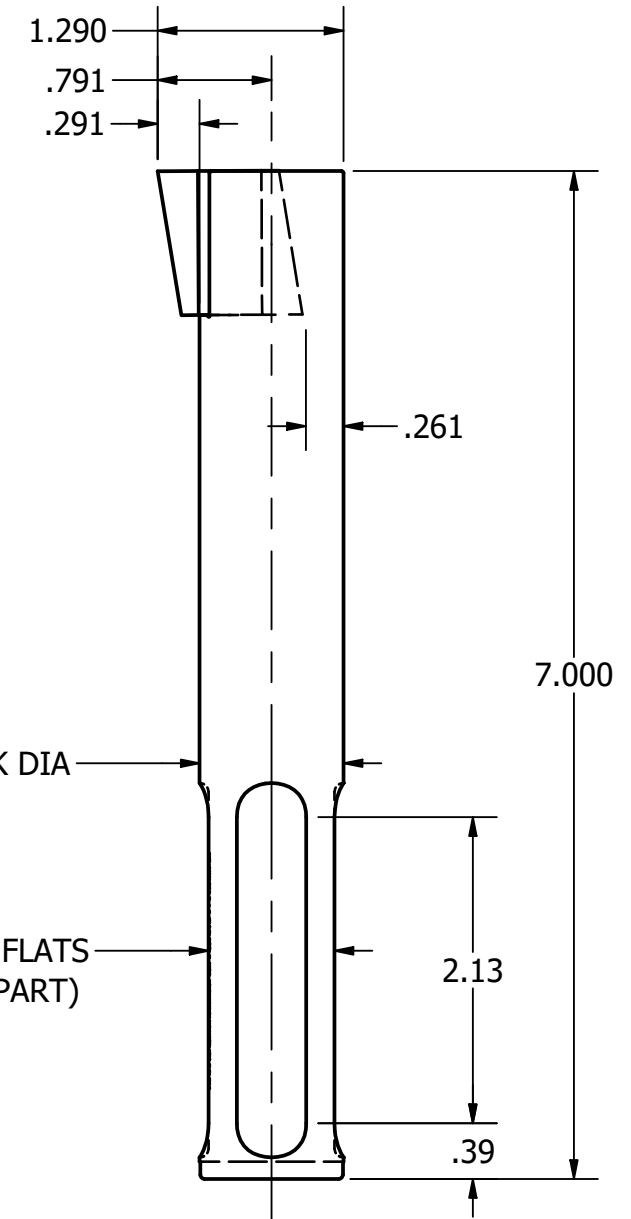
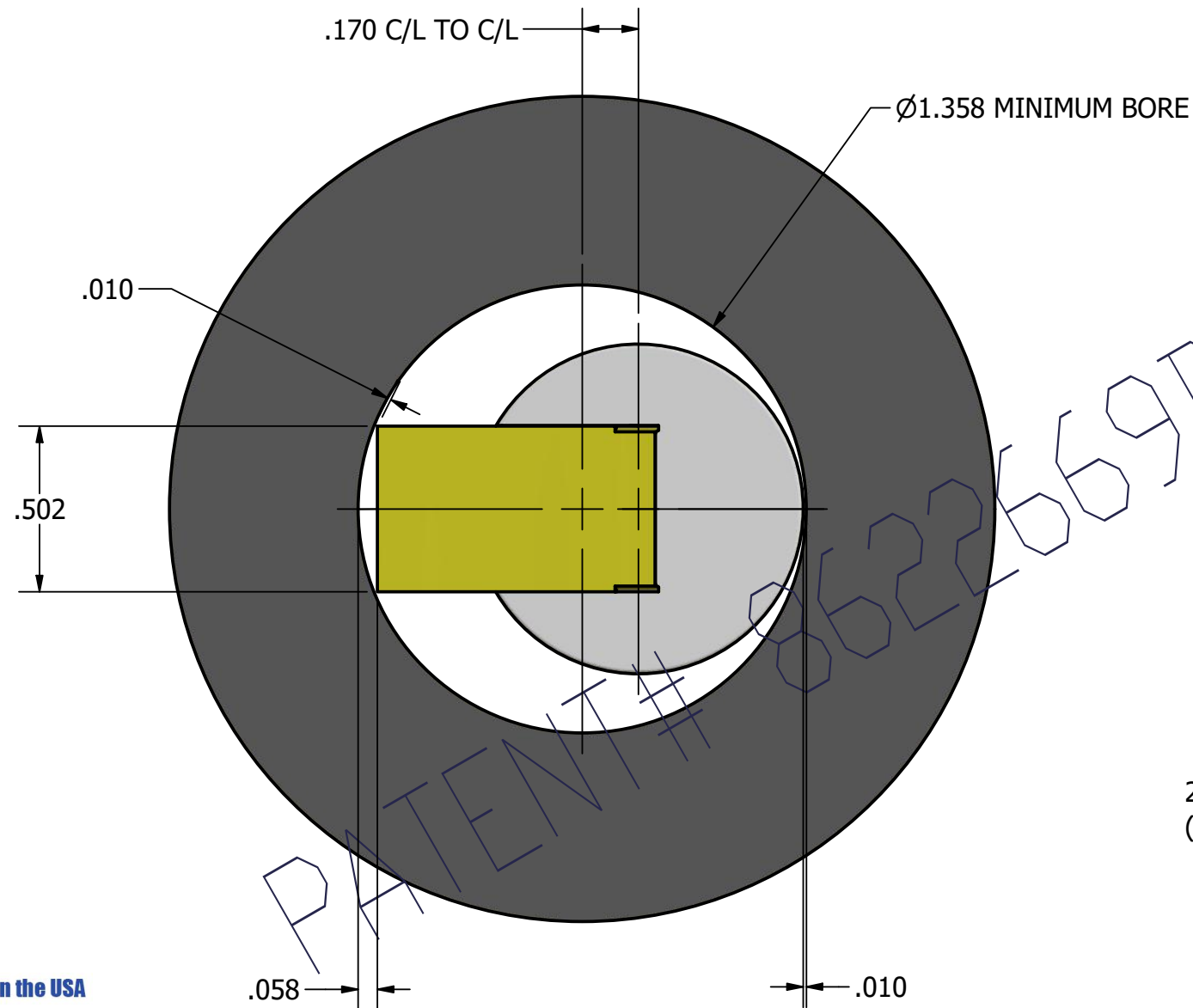


More Programming Information available at www.cncbroachtools.com



Ø.9995
Ø.9990 SHANK DIA

2X .875 ACROSS FLATS
(4X FLATS 90° APART)

The Only Inserted CNC Broaching System Manufactured in the USA



The Design of CNC Broach Tools and Inserts are Proprietary and Protected by USA Patent #8,622,669,B2

CNC Broach Tool LLC
sales@cncbroachtools.com

877-248-1631
www.cncbroachtools.com

PATENT# 8622669B2

PROPRIETARY AND CONFIDENTIAL
THE INFORMATION CONTAINED IN THIS DRAWING IS THE SOLE PROPERTY OF CNC BROACH TOOL. ANY REPRODUCTION IN PART OR AS A WHOLE WITHOUT THE WRITTEN PERMISSION OF CNC BROACH IS PROHIBITED.

UNLESS OTHERWISE SPECIFIED: DIMENSIONS ARE IN INCHES TOLERANCES: FRACTIONAL ± .005 DECIMAL ± .010 ANGULAR: MAXIMUM BEND ± .010 TWO PLACE DECIMAL ± .005 THREE PLACE DECIMAL ± .002	NAME	DATE
	DRAWN	SMA 11/14/20
	CHECKED	XX XX/XX/XX
	ENG APPR.	
	MFG APPR.	
INTERPRET GEOMETRIC TOLERANCING PER:	Q & A	
MATERIAL	COMMENTS:	
17-4PH S.S.		
FINISH		
BLACK OXIDE		
DO NOT SCALE DRAWING		



TITLE:
T12L BROACH TOOL DETAIL

SIZE	DWG. NO.	REV
B	T12L	B

WEIGHT: SHEET 1 OF 1