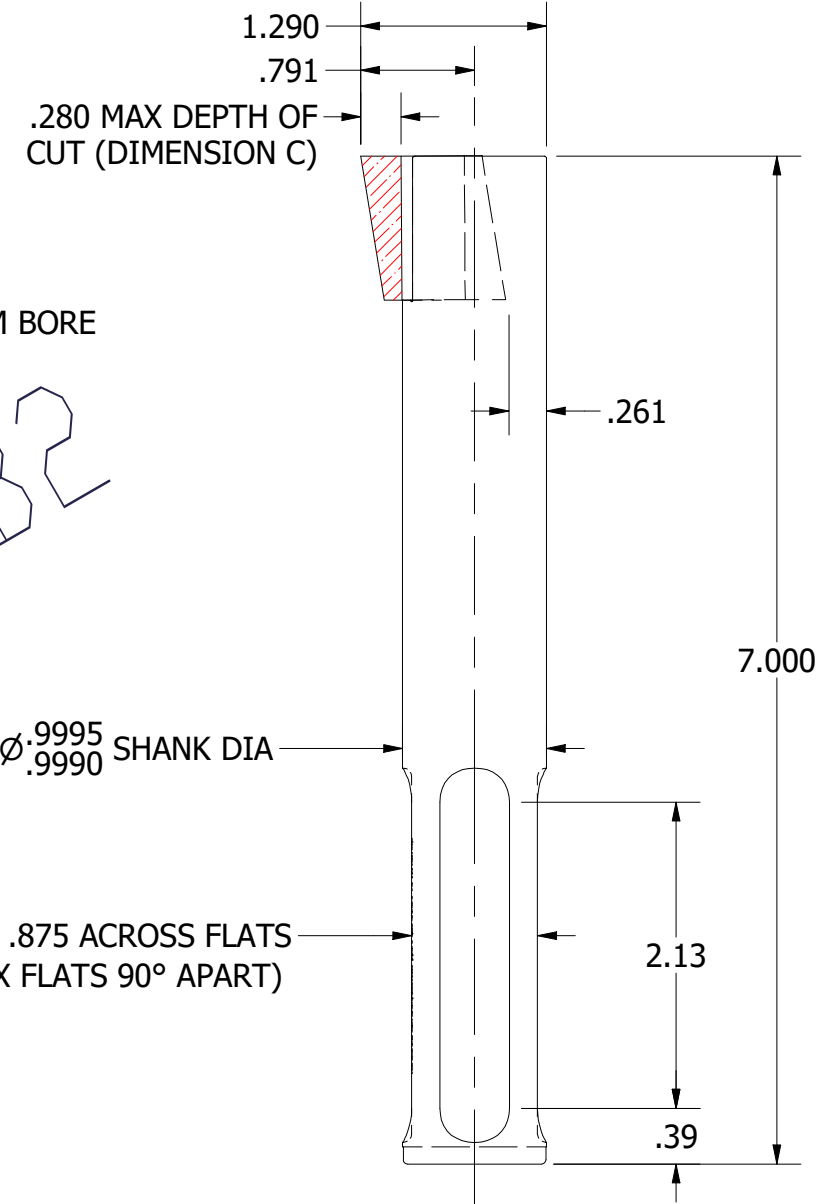
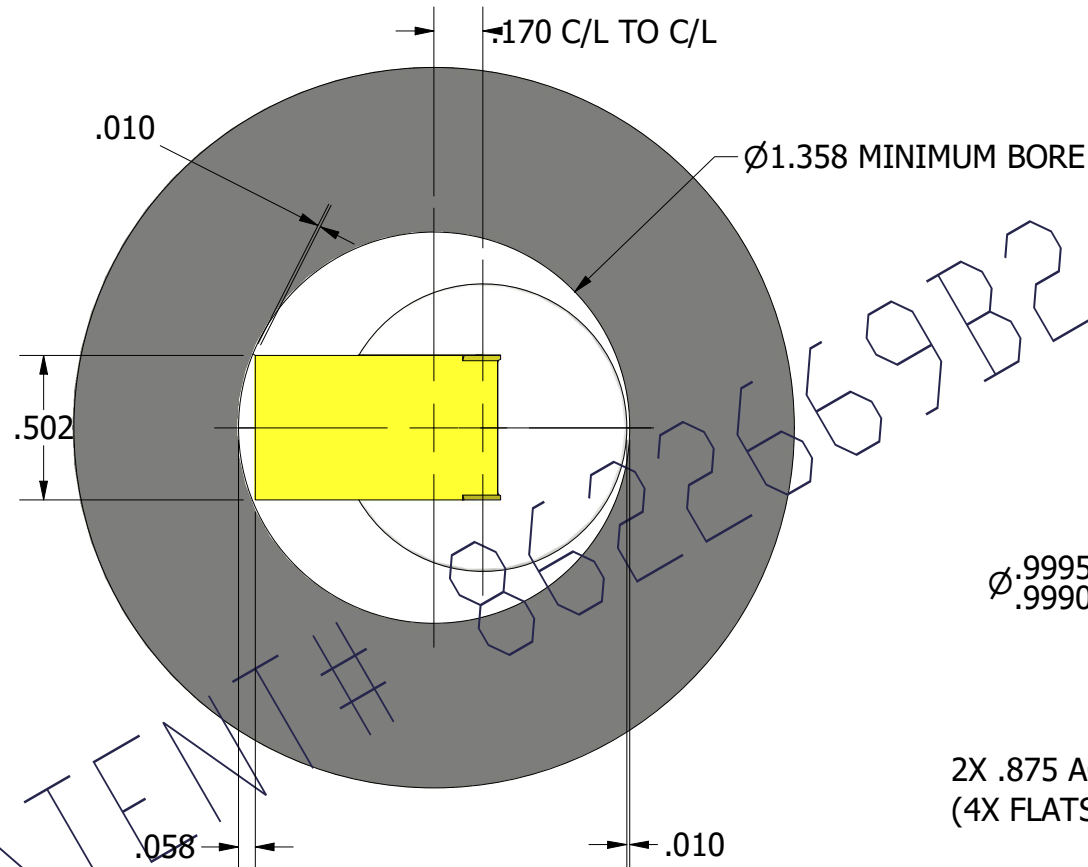
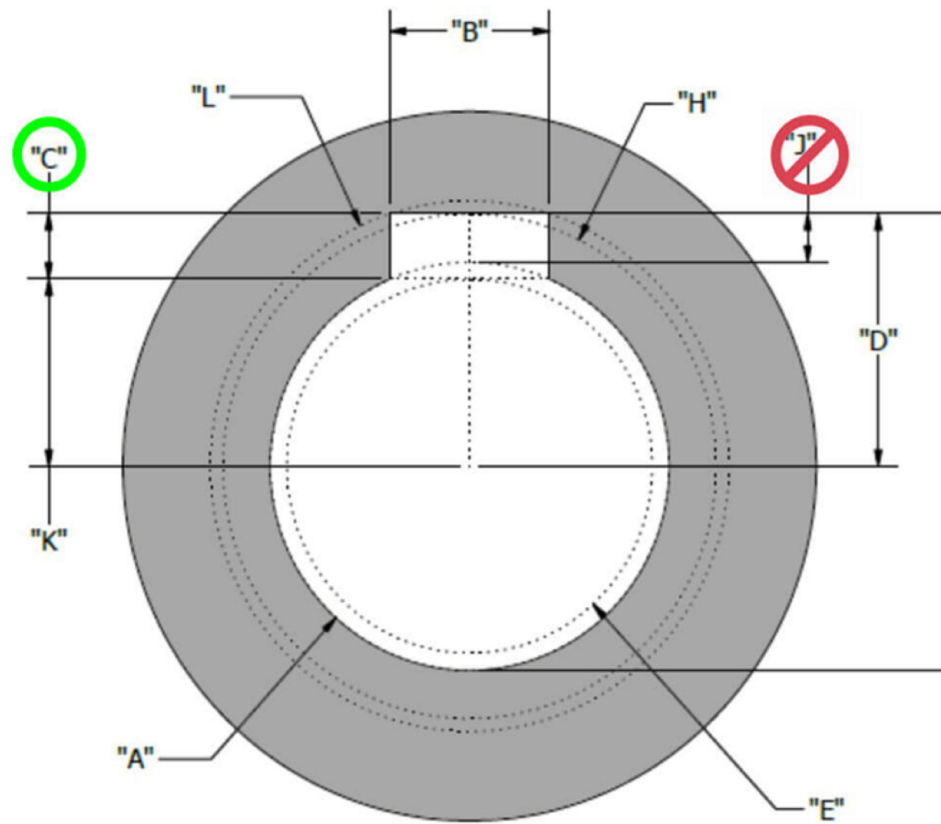


More Programming Information available at www.cncbroachtools.com

SAVE TIME & REDUCE ERRORS WITH OUR ONLINE BROACH G-CODE GENERATOR!



PATENT# 8622669B2

The Only Inserted CNC Broaching System Manufactured in the USA



The Design of CNC Broach Tools and Inserts are Proprietary and Protected by USA Patent #8,622,669,B2


CNC Broach Tool LLC
sales@cncbroachtools.com

877-248-1631
www.cncbroachtools.com

**RECOMMENDED
SET SCREW
TORQUE: 30 IN-LB**

PATENT# 8622669B2

PROPRIETARY AND CONFIDENTIAL
THE INFORMATION CONTAINED IN THIS
DRAWING IS THE SOLE PROPERTY OF
CNC BROACH. ANY REPRODUCTION IN
PART OR AS A WHOLE WITHOUT THE
WRITTEN PERMISSION OF
CNC BROACH IS PROHIBITED.

UNLESS OTHERWISE SPECIFIED:		NAME	DATE	
DIMENSIONS ARE IN INCHES		DRAWN	SMA 03/20/21	
TOLERANCES:		CHECKED	XX XX/XX/XX	
FRACTIONAL ±		ENG APPR.		
ANGULAR: MACH ± BEND ±		MFG APPR.		
TWO PLACE DECIMAL ± .010		Q.A.		TITLE: T12L BROACH TOOL DETAIL
THREE PLACE DECIMAL ± .005		COMMENTS:		SIZE DWG. NO. REV B T12L D
INTERPRET GEOMETRIC TOLERANCING PER:				WEIGHT: SHEET 1 OF 1
MATERIAL 17-4PH S.S.				
FINISH BLACK OXIDE				
DO NOT SCALE DRAWING				